




12W Series Desktop Switching Power Supply

| |
|---|
| GFP121DA |
|  |
| Input Connector |
|  <p>IEC-320-C8</p> |

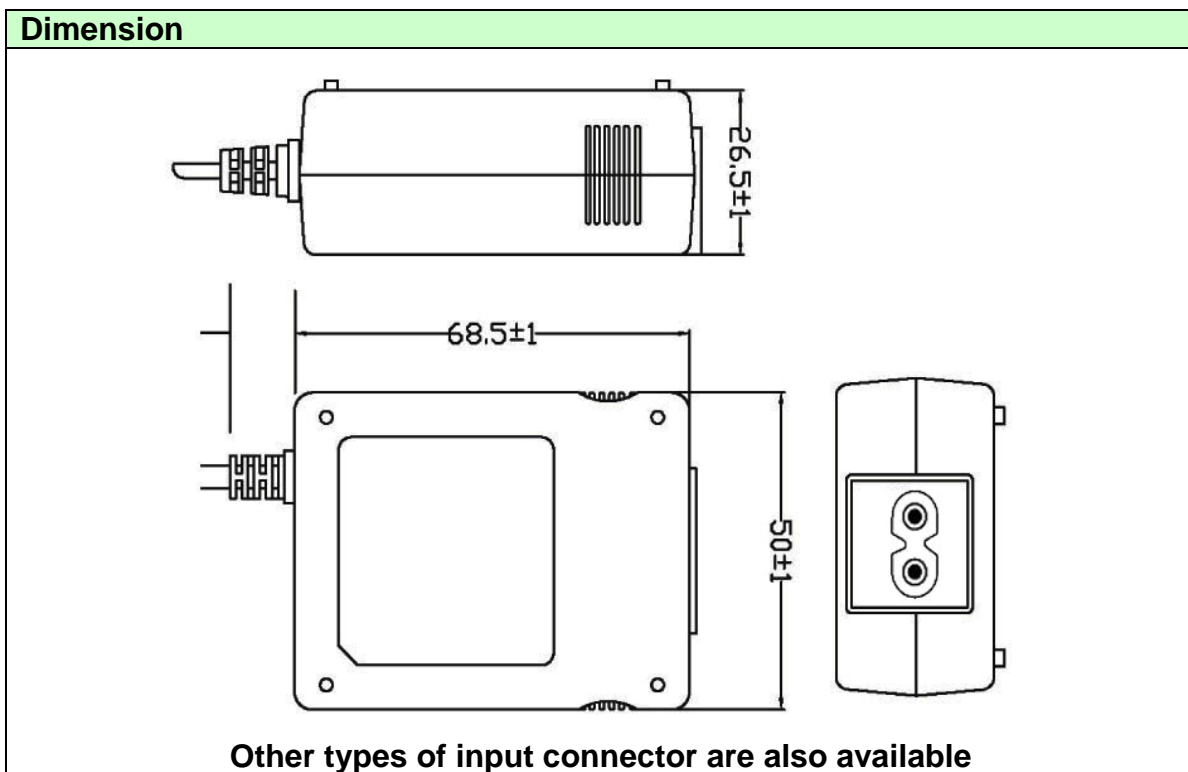
| Model | Input | Output |
|--|------------|----------|
| GFP121DA Series  Efficiency Level V Regulations | AC90V~264V | 3V/2A |
| | | 3.3V/2A |
| | | 5V/2A |
| | | 6V/2A |
| | | 9V/1.3A |
| | | 10V/1.3A |
| | | 12V/1A |
| | | 15V/0.8A |

| |
|--------------------------|
| Safety |
| UL/CUL, PSE, GS, CE, FCC |

| Input /Output Specification | | | | |
|-----------------------------|--|-----|-------|-----|
| ITEM | SPECIFICATION | MIN | TYP. | MAX |
| Input Voltage | Single Phase (Unit: VAC) | 100 | | 240 |
| Input Voltage Range | Single Phase (Unit: VAC) | 90 | | 264 |
| Input Frequency | Single Phase (Unit: Hz) | 47 | 50/60 | 63 |
| Input Current | Typical Input Voltage & Output at Full Road (Unit: mA) | | | 350 |
| Ac Inrush Current | Typical Input Voltage & Output at Full Road, 25°C | | | 30A |
| Efficiency | Typical Input Voltage & Output at Full Road | 76% | | |

| | | | | |
|-------------------------|--|--|--|--|
| Output Power | 12W | | | |
| Output Voltage | 3V-15V | | | |
| Over Voltage Protection | 120%min | | | |
| Over Current Protection | Auto Recovery | | | |
| Short Protection | The Adapter shall not damage by short the DC out to Ground | | | |
| Load Regulation | ±5% | | | |

| General Specification | |
|-----------------------------|-----------|
| Operating Temp | 0°C~40°C |
| Storage Temp | -20°~85°C |
| Operating Relative Humidity | 5~95%RH |



North America Office:
L.Q.P. Enterprises Co., LTD.
 175-5489 Byrne Road,
 Burnaby, B.C. V5J 3J1 Canada
 TEL: (604)451-7899 FAX: (604)451-7858
www.LeadingQP.com, www.LQP.ca