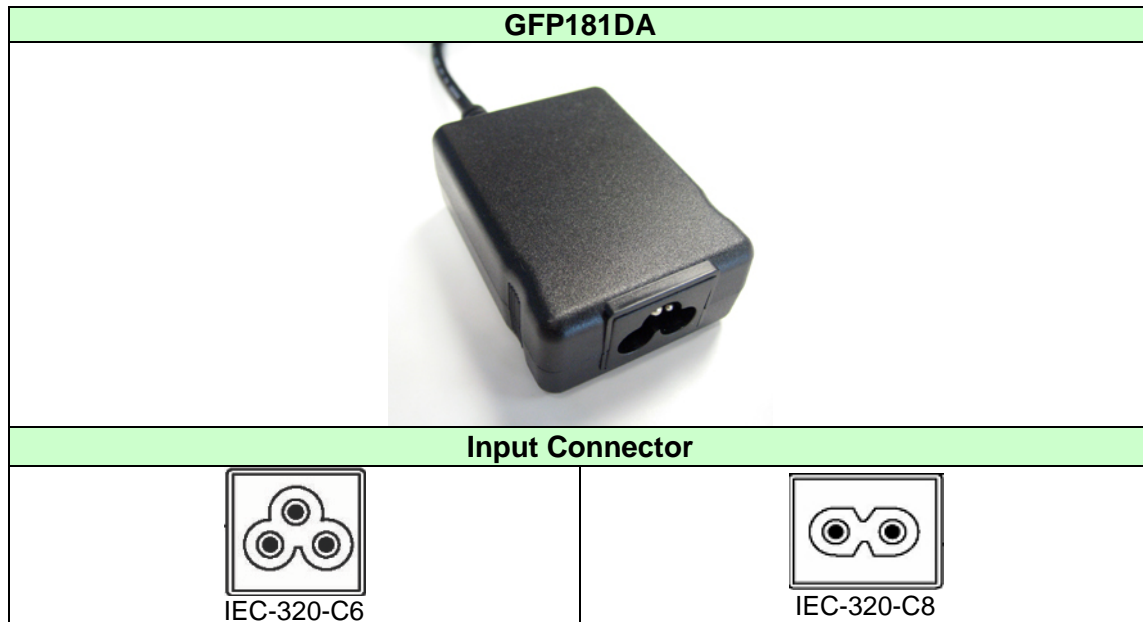



18W Series Desktop Switching Power Supply



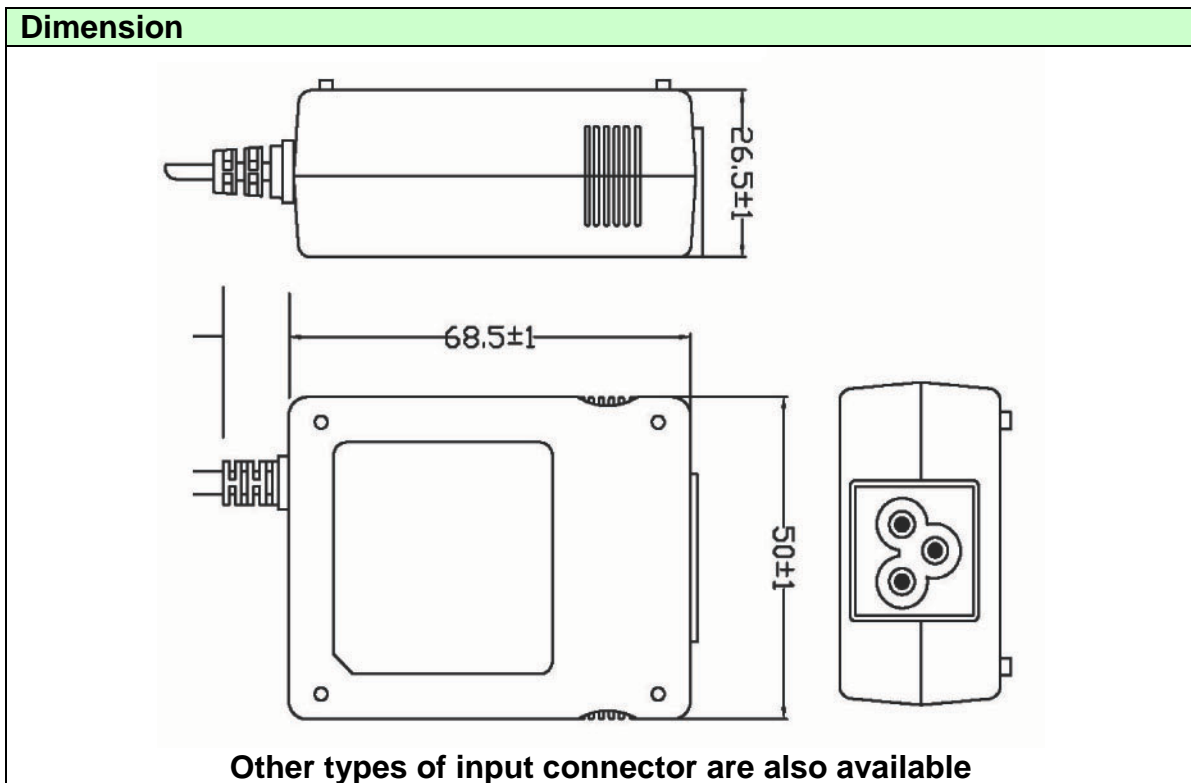
Model	Input	Output
GFP181DA Series  Efficiency Level V Regulations	AC90V~264V	3V/3A
		3.3V/3A
		5V/3A
		6V/2.8A
		9V/3A
		10V/1.8A
		12V/1.5A
		15V/1.2A
		24V/0.75A

Safety
UL/CUL, PSE, GS, BS, CE, CB, FCC, SAA, CCC

Input /Output Specification				
ITEM	SPECIFICATION	MIN	TYP.	MAX
Input Voltage	Single Phase (Unit: VAC)	100		240
Input Voltage Range	Single Phase (Unit: VAC)	90		264
Input Frequency	Single Phase (Unit: Hz)	47	50/60	63
Input Current	Typical Input Voltage & Output at Full Road (Unit: mA)			350
Ac Inrush Current	Typical Input Voltage & Output at Full Road, 25°C			30A

Efficiency	Typical Input Voltage & Output at Full Road	76%		
Output Power	18W			
Output Voltage	3V-24V			
Over Voltage Protection	120%min			
Over Current Protection	120%min			
Short Protection	Auto Recovery			
Load Regulation	±5%			

General Specification	
Operating Temp	0°C~40°C
Storage Temp	-20°~85°C
Operating Relative Humidity	5~95%RH
WithStanding Voltage	AC 3000V(Min), 5mA(Max)
Insulation Resistance	DC 500V 100MΩ(Min)



North America Office:
L.Q.P. Enterprises Co., LTD.
 175-5489 Byrne Road,
 Burnaby, B.C. V5J 3J1 Canada
 TEL: (604)451-7899 FAX: (604)451-7858
www.LeadingQP.com, www.LQP.ca