


## 25W Desktop Switching Power Supply

GFP252-0512( Dual Output )		
		
Input Connector		
 IEC-320-C6	 IEC-320-C8	 IEC-320-C14

Model	Input	Dual Output
GFP252-0512  Efficiency Level V Regulations	AC90V~264V	5V/1.5A
		12V/1.5A

Safety
UL/CUL, PSE, GS, BS, CE, CB, FCC, SAA, CCC

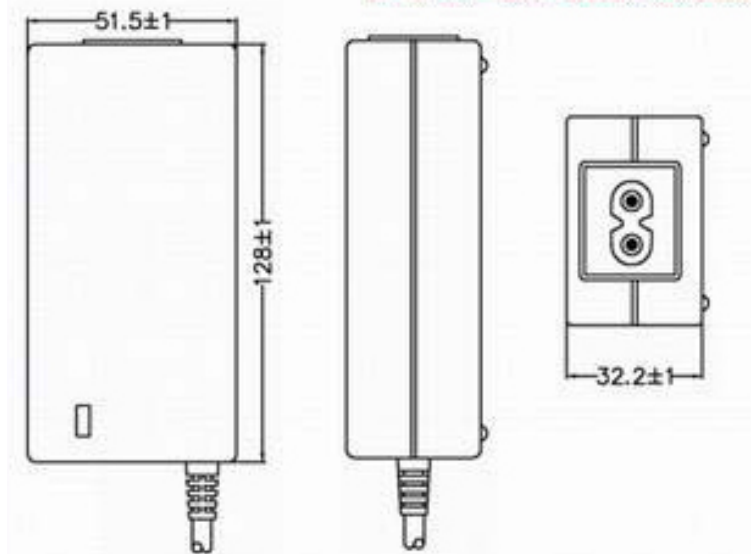
Input /Output Specification				
ITEM	SPECIFICATION	MIN	TYP.	MAX
Input Voltage	Single Phase (Unit: VAC)	100		240
Input Voltage Range	Single Phase (Unit: VAC)	90		264
Input Frequency	Single Phase (Unit: Hz)	47	50/60	63
Input Current	Typical Input Voltage & Output at Full Road (Unit: mA)			350
Ac Inrush Current	Typical Input Voltage & Output at Full Road, 25°C			30A
Efficiency	Typical Input Voltage & Output at Full Road	75%		

Output Power	24W			
Output Voltage	5V-24V			
Over Voltage Protection	120%min			
Over Current Protection	120%min			
Short Protection	Auto Recovery			
Load Regulation	±5%			

### General Specification

Operating Temp	0°C~40°C
Storage Temp	-20°~85°C
Operating Relative Humidity	5~95%RH
WithStanding Voltage	AC 3000V(Min), 5mA(Max)
Insulation Resistance	DC 500V 100MΩ(Min)

### Dimension



**Other types of input connector are also available**

North America Office:  
**L.Q.P. Enterprises Co., LTD.**  
 175-5489 Byrne Road,  
 Burnaby, B.C. V5J 3J1 Canada  
 TEL: (604)451-7899 FAX: (604)451-7858  
[www.LeadingQP.com](http://www.LeadingQP.com), [www.LQP.ca](http://www.LQP.ca)