


## 3W Series Wall Mount Switching Power Supply



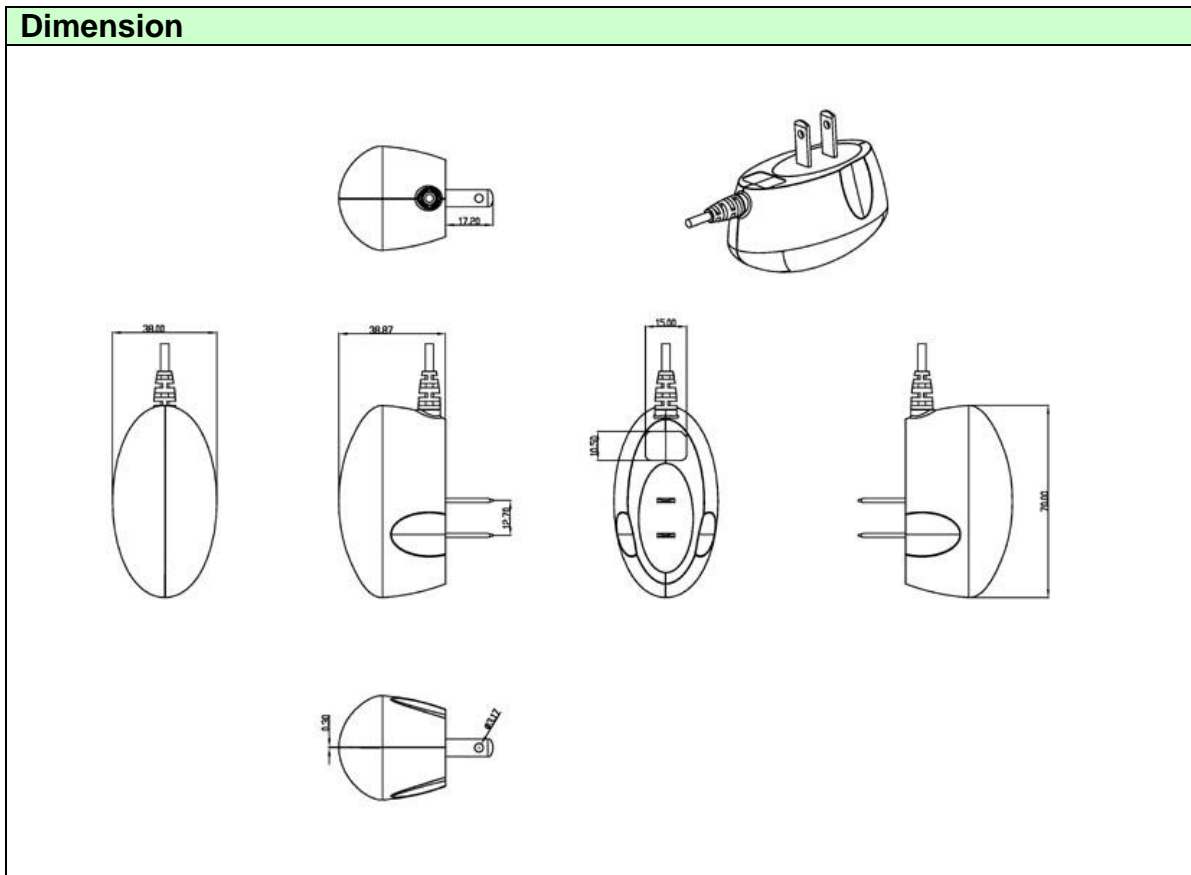
Model Number	Input	Output
GFP031W-042060	100-240AC	4.2V-4.9V/ 0.1A-0.6A
GFP031W- 050060		5V-5.9V/ 0.1A-0.6A
GFP031W- 060060		6V/ 0.1A-0.6A
GFP031W- 090025		9V-9.9V/ 0.1A-0.25A
GFP031W- 100025		10V-10.9V/ 0.1A-0.25A
GFP031W- 110250		11V-11.9V/ 0.1A-0.25A
GFP031W- 120250		12V/ 0.1A-0.25A
		Efficiency Level V Regulations

Safety
UL/CUL, PSE, FCC, CCC

Input /Output Specification	
ITEM	SPECIFICATION
Input Voltage:	AC100-240V/50-60HZ
Range Voltage:	AC90-264V/47-63HZ
Output Power:	3W
Output Voltage:	3-24V
Over Current	AUTO RECOVERY

Protection:	
Over Voltage Protection:	120%
Load Regulation:	±5%

General Specification	
Operating Temp	0°C~40°C
Operating Relative Humidity	5~95%RH
Storage Temperature:	-20 ~ 85 °C
Efficiency:	70% Min



North America Office:  
**L.Q.P. Enterprises Co., LTD.**  
 175-5489 Byrne Road,  
 Burnaby, B.C. V5J 3J1 Canada  
 TEL: (604)451-7899 FAX: (604)451-7858  
[www.LeadingQP.com](http://www.LeadingQP.com), [www.LQP.ca](http://www.LQP.ca)