


15W LED Drivers

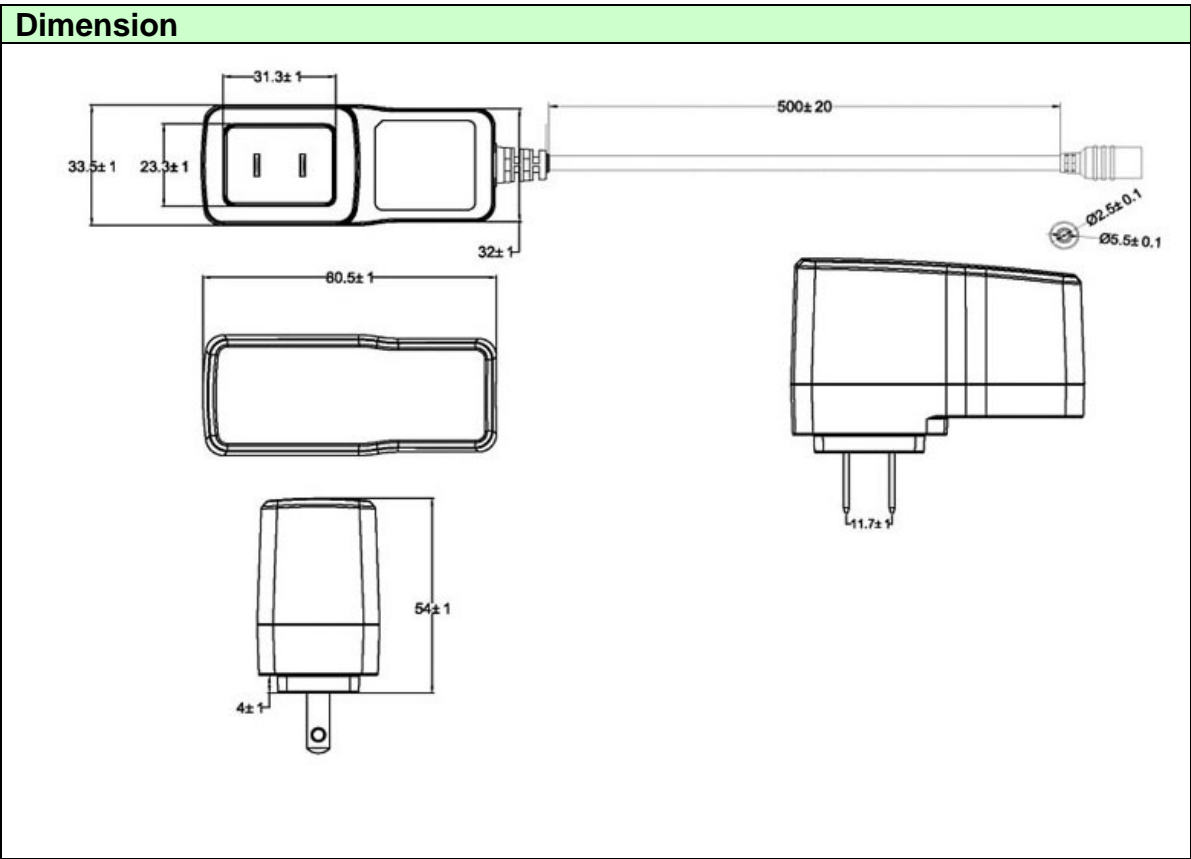


| Model Number | Input | Output |
|---|----------|---|
| LED151-150100 | 100-240V | 15.0V/1.0A |
| LED151-240070 | | 24V/0.7V |
| LED151-420035 | | 42V/0.35A |
|  | | Meets CEC (California Energy Commission) Requirements |

| Safety |
|------------------|
| UL/CUL, PSE, FCC |

| Input /Output Specification | |
|-----------------------------|-------------------|
| ITEM | SPECIFICATION |
| Input Voltage: | AC90-240V/50-60HZ |
| Range Voltage: | AC90-264V/47-63HZ |
| Output Power: | 15W |
| Output Voltage: | 9-12V |
| Over Current Protection: | AUTO RECOVERY |
| Over Voltage Protection: | 13.8-16.5V |
| Load Regulation: | ±5% |

| General Specification | |
|-----------------------------|-------------------|
| Operating Temp | 0°C~40°C |
| Operating Relative Humidity | 5~95%RH |
| Storage Temperature: | -20 ~ 85 °C |
| Efficiency: | 85% Min PF > 0.95 |



North America Office:
L.Q.P. Enterprises Co., LTD.
 175-5489 Byrne Road,
 Burnaby, B.C. V5J 3J1 Canada
 TEL: (604)451-7899 FAX: (604)451-7858
www.LeadingQP.com, www.LQP.ca