

130W Desk Top (or Mounting Tab) Switching Power Supplies For I.T.E. (PFC)

Description:

The SPU130 series of AC/DC switching mode power supplies provide 130 Watts of continuous output power. All supplies are UL 94V-1 min compliant, include IEC-320-C14 input for worldwide applications. All models meet FCC Part-15 class B and CISPR-22 class B emission Limits and are designed to comply with UL/c-UL(UL 1950) , ITS/GS(EN 60950) and new CE requirements. All units are 100% burned in and tested.



Features:

- Wide Input Voltage 90 to 264 VAC, 47 to 63 Hz
- IEC-320-C14 Input Inlet
- Output Voltage Available From 3 VDC Thru 55 VDC
- Optional Output Connector (See appendix)
- Single and Dual Output
- Input Surge Current, Over Voltage and Over Load protection
- Power Factor Correction(PFC)
- Option : Mounting Tab and Desk Top
- Long Hold Up Times (75ms)
- Class I Insulation
- Include a cooling fan
- Two years warranty

Safety Approvals :



Electrical Characteristics:

Sym.	Parameter	Test Conditions	Min.	Typ.	Max.	Unit
Vin	Input Voltage	Operating Voltage	90		264	VAC
Fin	Input Frequency		47		63	Hz
PFC	Power Factor Correction	Io=Full load, Vin=230 VAC	0.95		0.99	
Wo	Output Power Range	Vin=90 to 264VAC	0		130	W
Vo	Output Voltage Range		See rating chart			V
Io	Output Current Range		See rating chart			A
Iil	Input Current (Low Line)	Io=Full load, Vin=115VAC			3.2	A
Iih	Input Current (High Line)	Io=Full load, Vin=230VAC			1.7	A
Irl	Low Line Inrush Current	Io=Full load, 25 c ,Cool start, Vin=115VAC		15	30	A
Irh	High Line Inrush Current	Io=Full load, 25 c, Cool start, Vin=230VAC		30	60	A
Eff	Efficiency	Io=Full Load, Vin=230VAC		80	85	%
REG-i	Line Regulation	Io=Full Load		0.5	1	%
REG-o	Load Regulation	Vin=230VAC		3	7	%
OVP	Over Voltage Protection		112		132	%
OCP	Over Current Protection		110		150	%
Ttr	Transient Response	Io=Full Load to Half Load, Vin=100VAC			4	mS
Thold	Hold-Up Time	Io=Full Load, Vin=110VAC	75			mS
Ts	Start Up Time	Io=Full Load, Vin=100VAC	0.3	1	2	S
Vrn	Ripple & Noise (Peak to Peak)	Full Load, Vin=90VAC		1	2	%
Ilk	Safety Ground Leakage Current	Io=Full Load, Vin=240VAC		0.5	0.75	mA
Tc	Temperature Coefficient	All output	-0.04		0.04	%/ c

Environmental :

Sym.	Parameter	Test Conditions	Min.	Typ.	Max.	Unit
Toper	Operating Temperature		0		70	°C
Tstg	Storage Temperature		-40		85	°C
Hr	Relative Humidity		5		95	%
Pd	Derate linearly from 100% load at 40°C to 50% load at 70°C					

SPU 130 SERIES

130W Desk Top (or Mounting Tab) Switching Power Supplies For I.T.E. (PFC)

Safety Specifications:

Sym.	Parameter	Test Conditions	Min.	Typ.	Max.	Unit
Vps	Dielectric Withstanding Voltage for Primary to secondary	Primary to secondary	4242			VDC
Vpg	Dielectric Withstanding Voltage for Primary to Ground	Primary to ground	2121			VDC
Ri	Isolation Resistance	Test Voltage=500VDC	50			MΩ
CISPR	EMI requirements for CISPR-22	Vin=220VAC	B			CLASS
FCC	EMI requirements for FCC PART-15	Vin=110VAC	B			CLASS

Output Voltage And Current Rating Chart (Single Output) :

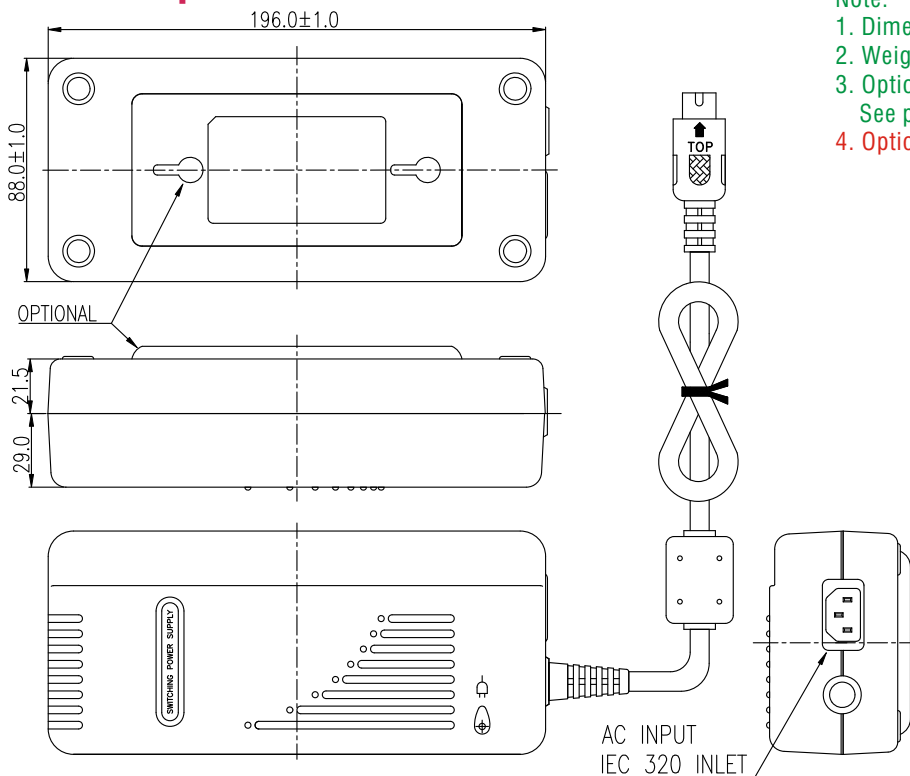
Model Number	Output Voltage	Output Current	Total Regulation	Maximum Output Power
☆ SPU130-101	3 ~ 5 VDC	30.00 ~ 18.00 A	7%	90W
☆ SPU130-102	5 ~ 6 VDC	23.00 ~ 19.16 A	7%	115W
☆ SPU130-103	6 ~ 8 VDC	21.60 ~ 16.25 A	7%	130W
☆ SPU130-104	8 ~ 11 VDC	16.25 ~ 11.80 A	5%	130W
FC ☆ SPU130-105	11 ~ 13 VDC	11.80 ~ 10.00 A	5%	130W
☆ SPU130-106	13 ~ 16 VDC	10.00 ~ 8.12 A	5%	130W
☆ SPU130-107	16 ~ 21 VDC	8.12 ~ 6.19 A	5%	130W
☆ SPU130-108	21 ~ 27 VDC	6.19 ~ 4.81 A	5%	130W
☆ SPU130-109	27 ~ 33 VDC	4.81 ~ 3.93 A	5%	130W
☆ SPU130-110	33 ~ 40 VDC	3.93 ~ 3.25 A	3%	130W
FC ☆ SPU130-111	40 ~ 50 VDC	3.25 ~ 2.60 A	3%	130W
☆ SPU130-112	50 ~ 55 VDC	2.60 ~ 2.36 A	3%	130W

Output Voltage And Current Rating Chart (Multi Output) :

Model Number	Output #1				Output #2				Maximum Output Power
	Vonom	Iomin	Iomax	Regmax	Vonom	Iomin	Iomax	Regmax	
FC ☆ SPU130-200	+3.3V	4A	20A	10%	+12V	0A	2A	5%	90W
☆ SPU130-201	+5V	4A	20A	5%	+12V	0A	2A	5%	120W
☆ SPU130-201-1	+5V	2A	10A	5%	+12V	1A	5A	10%	110W
☆ SPU130-202	+5V	4A	20A	5%	+15V	0A	2A	5%	120W
☆ SPU130-203	+5V	4A	20A	5%	+24V	0A	2A	5%	120W

Mark " ☆ " means " PSE approval "
 Model -106 has PSE approval which is below 15V

Mechanical Specifications :



Note:

1. Dimensions are shown in mm.
2. Weight: 860gs approx.
3. Optional output connector:
See page Appendix.
4. Option : Mounting Tab and Desk Top

North America Office:
L.Q.P. Enterprises Co., LTD.
 175-5489 Byrne Road,
 Burnaby, B.C. V5J 3J1 Canada
 TEL: (604)451-7899 FAX: (604)451-7858
www.LeadingQP.com, www.LQP.ca